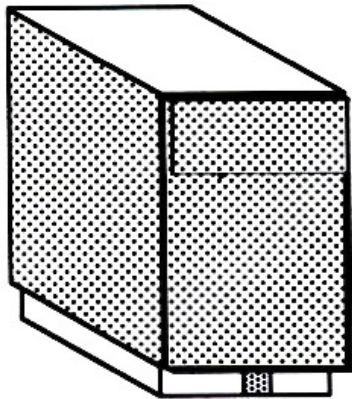


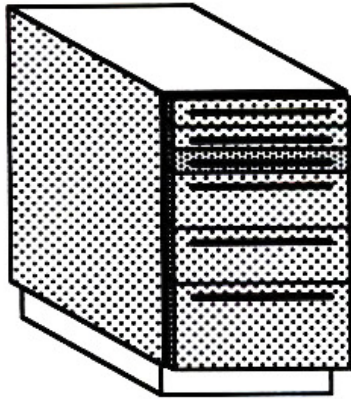


www.scottmedicaluk.com
+44(0)1723 363 225
sales@scottmedicaluk.com

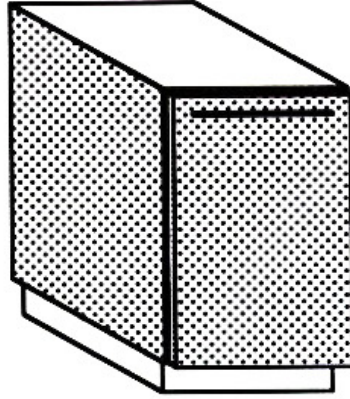
Quality Surgery Furniture



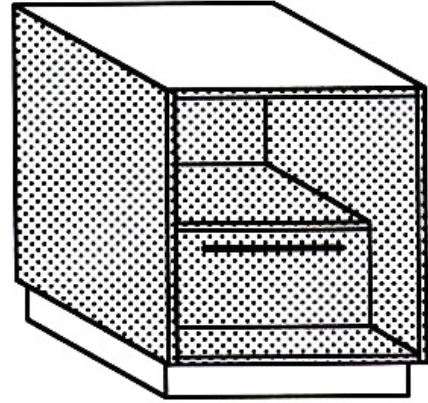
'A' MK2 Sink unit with slide out waste receiver.



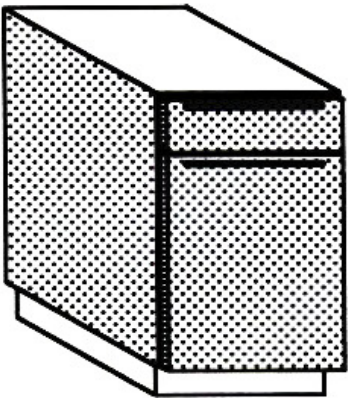
'B' Six drawer instrument cabinet, top 3 are shallow for plastic inserts trays.



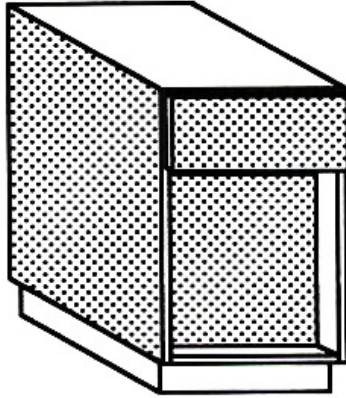
'C' Cabinet - Storage cupboard with two adjustable shelves



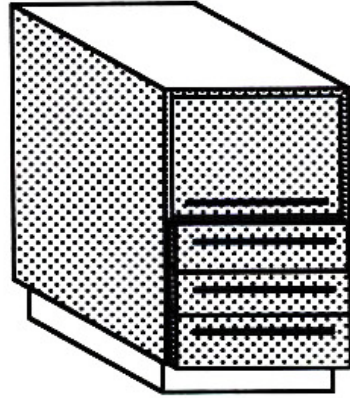
'D' Cabinet - to take Delivery System. Bottom compartment to take floor box.



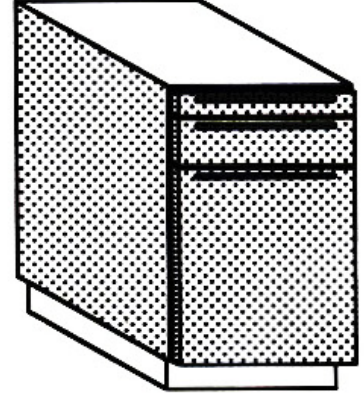
'E' Cabinet. One drawer with cupboard below.



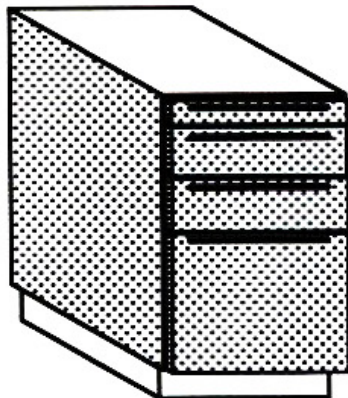
'F' - Suction Cabinet (tips mount on pull - out)



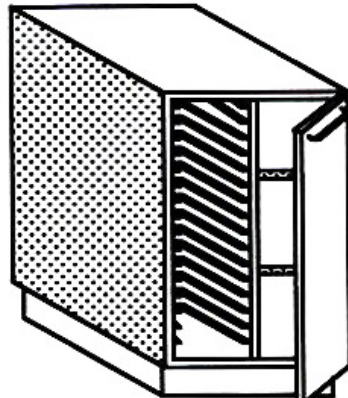
'G' Cabinet - Up and over door with pull out to take amalgam mixers, curing lights, ultrasonic scalers, etc.



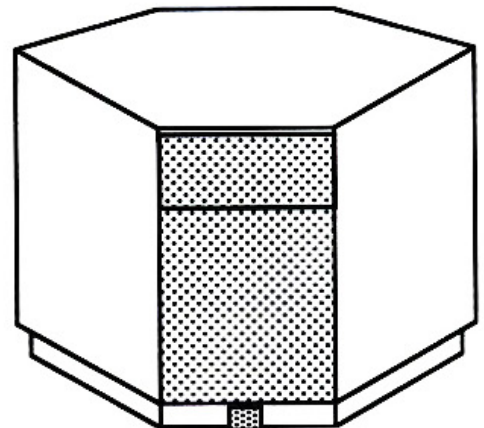
'H' Cabinet. Two drawers with cupboard below.



'I' Cabinet. Three drawers with cupboard below.



'J' Cabinet - Tray storage on one side, 2 adjustable shelves on the other.



'K' Corner Unit - sink or cupboard.